

PRODUCT NO.	RoHS compliant
DSIC01LSGET	

REV.	ECN NO.	DR	DATE

NOTES :

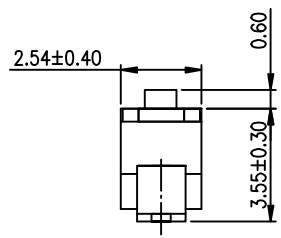
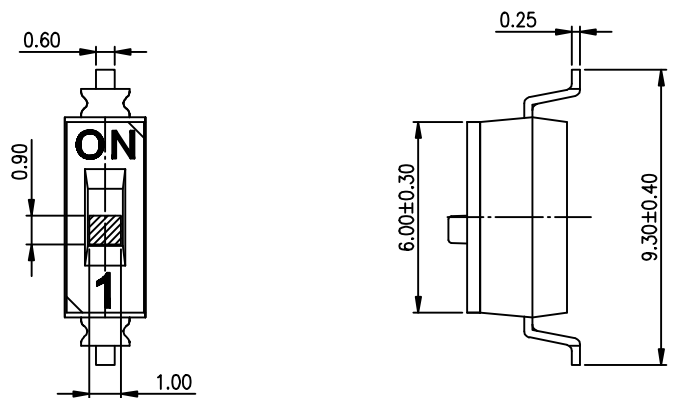
- 1.Specification:
 - 1>.Operating force:1000gf Max
 - 2>.Operating Temperature: -40° to+85°
 - 3>.Storage Temperature: -40° to+85°
 - 4>.Mechanical Life: 3000cycles minimum
 - 5>.Electrical Life: 2000cycles minimum
2. PLATING:

GOLD FLASH 1u"~2u" SOLDERTAIL,
1u"~3u" GOLD PLATING ON THE CONTACT AREA,
WITH 50u" NICKEL UNDERPLATINGOVERALL.

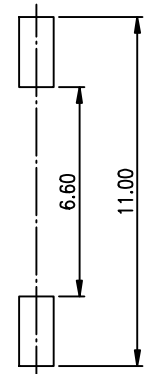
3. PART NUMBER DESCRIPTION

DSIC XX L S G E T

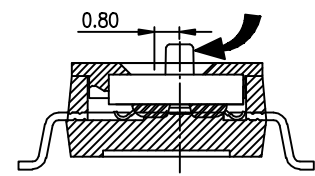
- [包装方式: T=管装 R=Reel]
- [电镀层: E=接触部 1u"~3u" / 焊尾部 1u"~2u"]
- [G=镀金 S=内金外镍]
- [脚型: S脚 / J脚 / H脚 / A脚 / Z脚]
- [T=低推贴胶 S=低推不贴胶 L=长推]
- [产品数: 02=2P 08=8P 10=10P 12=12P]



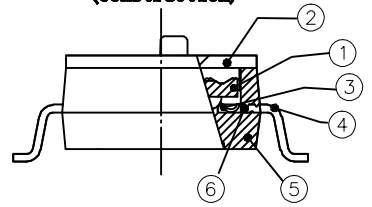
[Schematic]



[推钮行程]



(Construction)



RECOMMENDED P.C.B. LAYOUT (TOP VIEW)

Number	Part Name	Material	Finished	TOLERANCE UNLESS OTHERWISE SPECIFIED	
				LINER	ANGLES
①	Actuator	UL94 V0	White	.0 ± 0.25	0. ± 2'
②	Cover	UL94 V0	Black	.00 ± 0.15	.0 ± 1'
③	Movable	Copper Alloy	1u"~3u"Gold	.000± 0.10	.00± 0.5'
④	Terminal	Brass	1u"~2u"Gold		
⑤	Base	UL94 V0	Black		
⑥	Terminal Contact	Brass	1u"~3u"Gold		

INSPECTION	COPY
PROJECTION	
DESIGN	kathy
DRAWING	
CHECK	
APPRO.	

Kingtek 东莞市广普实业有限公司
DongGuan Kingtek Industrial Co., Ltd.

TITLE: BY DSIC SERIES PITCH 2.54mm

PRODUCT FAMILY DSIC SERIES

PRAT NO. DSIC01LSGET

FILE NO. DSIC01LSGET-A

SIZE	UNIT	SCALE	SHEET	REV.
A4	mm	2 : 1	1 OF 1	A

A

B

C

D

A

B

C

D